

RAS-ELITE

Portable Auto-Acquire Outdoor Wireless TCP/IP Data Terminal



The portable RDL-3000 RAS-Elite provides secure wireless transport directly to temporary field offices, rigs, trucks and other semi-permanent locations. Easily transported and operated by non-technical personnel with no special training, the RAS-Elite automatically obtains and holds a reliable high-speed connection to the fixed Redline wireless network.

FEATURES AND BENEFITS

- The highly reliable touchless connection and self-aiming antenna (no moving parts) requires no specialized (telecom) personnel for normal operation
- High throughput for concurrent transport of M2M telemetry and telecontrol, data, video and voice services
- Durable all-weather enclosure for reliable operation in a wide range of temperatures and environmental conditions
- Over-the-air monitoring, configuration and software keyed features enable upgrades without physical access
- Software-defined architecture enhances reliability and service lifetime

PRODUCT COMPLEMENTS

The RAS-Elite is fully compatible with all Redline RDL-3000 family base stations and wireless terminals. Redline provides a complete selection of peripherals and professional services for all your deployment needs.

UNIFIED GLOBAL SOLUTIONS

Redline's patented UWT™ technology provides a truly unified wireless networking solution—across the spectrum, across your company and across the globe—enabling secure, reliable, high-speed connectivity to people and smart devices everywhere.

SYSTEM AT A GLANCE

Portable auto-acquire outdoor software-defined wireless terminal

Extends high speed TCP/IP transport to vehicles, rigs, portable offices and other movable assets

Reliable fast transport of M2M, data, HD video and voice traffic

Auto-acquire with full-time tracking and automatic antenna alignment with built-in GPS

Integrated MIMO antenna

-40 to 60 °C operating range using dynamic and thermal dissipation (no moving parts)

High-grade cyber security features

Very low latency supports time-sensitive applications

Over-the-air monitoring, configuration, upgrades and software keyed speeds and features

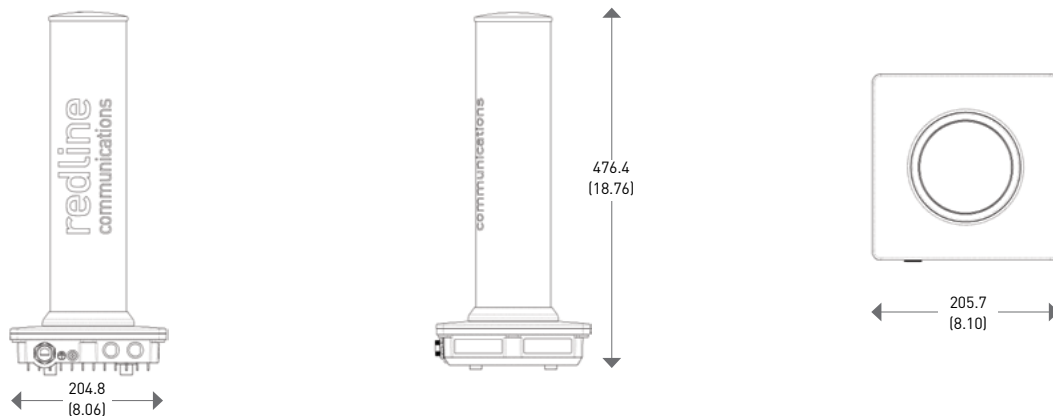
RAS-ELITE SPECIFICATIONS

Capability	LOS/OLoS/NLOS PMP Terminal
Wireless transmission	OFDM (orthogonal frequency-division, multiplexing), TDD, 2 x 2 A/B MIMO
RF Band (MHz)	4940-5400 ¹ , 5400-5875 ¹
Channel Size (MHz)	5/10/20 software selectable ¹
Modulation	BPSK to 64 QAM, TDMA
Data Rate	Up to 120 Mbps UBR
Max Range	29 Km (18 mi)
Max EIRP	37 dBm ¹ (2 x 34 dBm) ¹
Antenna Info	Integrated MIMO, 360° azimuth view, 120 Km/h (75 mph)
Wireless QoS	Dynamic Spectrum Access & Management ¹
MAC	Dynamic ARQ
Encryption (OTA)	AES-128 ¹ and AES-256 ¹ (software keyed)
Authentication	X.509 Certificates (software keyed)
Connection	10/100 Ethernet (RJ-45)
Ethernet Rate	Up to 100 Mbps
Latency	< 10 ms
Processing (PPS)	> 150,000
Attributes	Transparent bridge, DHCP pass-through, 802.1Q VLAN
Network QoS	Multiple services with unique CIR & PIR, 802.3x, 802.1p/Q
Management	ClearView NMS, HTTP, SNMP v2/v3, Telnet, HTTPS/SSL, SSH
Temperature	-40 to 60 °C (-40 to 140 °F)
Enclosure	IP67 (IEC 60259)
Humidity	100% humidity, condensing
Surge Protection	Built-in: PoE and RF ports
GPS	Built-in (software keyed)
Mount	Pole, truck rack or magnetic

All specifications are subject to change without notice.

1. Availability restricted by regional regulations or product options; 2. In process

DRAWINGS



Dimensions are in millimeters (inches)

Compliance

Safety: IEC, EN, and UL/CSA 60950

EMC: EN 301 489-17, EN 301 489-1 v.1.8.1, Part 1, EN 301 489 -4 v.1.4.1, Part 4

5.8 GHz¹: IC RSS-210, FCC Part 15, ETSI EN 302 502

5.4 GHz¹: IC RSS-210, FCC Part 15, ETSI EN 301 893

4.9 GHz¹: IC RSS-111, FCC Part 90

Security: FIPS 140-2²

Vibration: MIL-STD-810F, Method 514.5

Drop Test: MIL-STD-810G, Method 516.6

Ice: Defense Standard-035 part 3 Issue 4



Physical Attributes

Dimensions

204.8 x 476.4 x 205.7 mm (8.06 x 18.76 x 8.10 in)

Weight

3.0 kg (6.6 lbs) without bracket